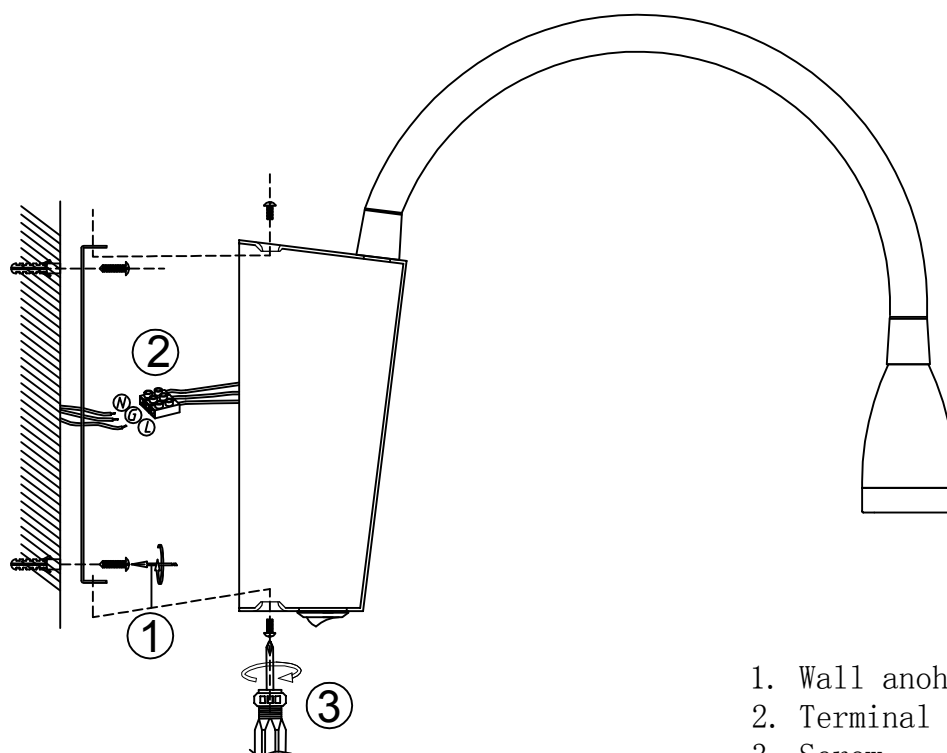
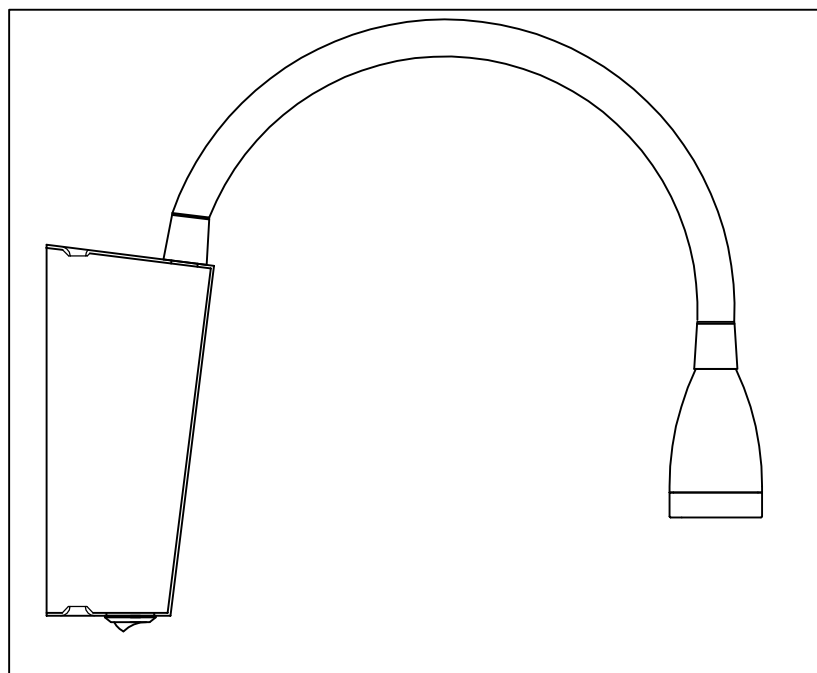


ENGLISH

Specification of installation

In order to ensure safety use, please notice the following items:

- Read and understand the whole Specification.
- Suitable for the use of 220-240V and 50-60Hz.
- Please wear gloves as installment and avoid rot on the surface of plaetng.
- Must be installed on the fixed places and be checked annually.
- Please tum off the lighting source by soft cloth as cleaning prohibited to use of rotted detergent.
- Please connect with the local sales service center when there are any abnomality.

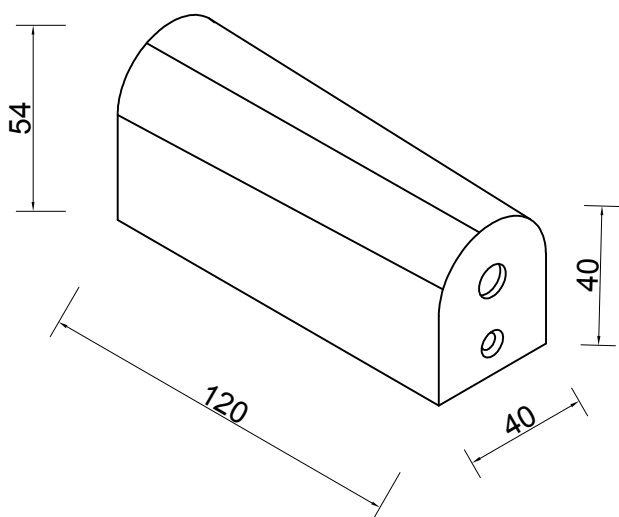


1. Wall anohor
2. Terminal
3. Screw

Lamp: LED 3W*1 PCS

Product coding: CLT 213W WH

BASE SIZE:



FIXTURE SIZE:

